

User's Manual



Rumberger Musikinstrumente Vertriebs GmbH
83209 Prien am Chiemsee, Seestraße 11
e-mail: info@rumberger-soundproducts.de
www.rumberger-soundproducts.de

Professional pick-up system for clarinet

Please read carefully before proceeding!

We congratulate you for purchasing your K1-Plus and thank you for deciding for a high quality pick-up system from RUMBERGER SOUNDPRODUCTS. Because of a great deal of development work we are now able to present you a product which shows many advantages compared to the conventional microfoning, especially when using with clarinet. Optimal mobility, equally pick-up even from highest to lowest pitches, smoothly using with wireless systems as well as no problems with acoustic feedback are some examples for the abilities of K1-Plus. We feel confident that you will be satisfied with our product.

Safety information

Please make sure if the device you would like to connect the pick-up system meets the valid safety regulations and is furnished with a security earthing.

Fitting / Start of operation

The fitting of the pick-up casing is normally done by your music retailer. (See separate installation guide.)

Please lubricate slightly all rubber rings at the pick-up system, sealing plug and at the casing with the enclosed grease before first using. Insert the pick-up with a little pressure into the assembled casing until you feel a slight snap in. To avoid accumulation of condensed water in the pick-up we suggest you to position the barrel in a way that the pick-up is located on the side or on top. To use your instrument without pick-up please insert the enclosed sealing plug.

Connection

The connection is effected with enclosed phantom powering cable into a mixer with XLR-input. **The phantom powering of the mixer must be switched on.** The connecting cable can be lengthened with any normal microphone cable.

Using with wireless system

K1-Plus affords the optimal precondition for unproblematic using with wireless systems. The pick-up works passively and requires no supply voltage. Use the high-z instrument input of your wireless device. Pre-fabricated connecting cables or cables with one open end are available on request.

Sound adjustment

K1-Plus has been designed this way that in principle no changes in the sound adjustment are necessary. We advise you for base of operations to set all sound controllers in neutral position.

Cleaning and maintenance

Remove your pick-up system through slightly traction and turning out of the pick-up casing. The pick-up can be cleaned easily with damp cleaning cloth. In no case you should use dissolver to clean the appliance. Please lubricate all rubber rings every once a while with the enclosed grease.

Included in delivery

Transport case 233 x 184 x 46 mm
Pick-up casing
K1-Plus pick-up system
XLR-phantom-adaptor with 2,5 m cable
Sealing plug
Special grease
User's manual and installation guide

Technical data:

Mode of operation: Advanced Piezo Technology (APT)
Directional characteristic: omni-directional
Frequency: 50 20000 Hz
Output impedance of phantom powering adapter: 600 ohm
Supply: 24 48 V phantom power
Weight of pick-up-system: 24 g
Transport weight in case: 360 g

Approval

Rumberger Soundproducts declare that this device is in compliance with the applicable CE standards and regulations.

WEEE Declaration

Please dispose of this product at the end of its operational lifetime by bringing it to your local collection point or recycling centre for such equipment.

Warranty:

For warranty the German legal requirements of warranty are valid. Warranty expires through inappropriate handling, mechanical or electrical damage because of incorrect using. For warranty adjustment it is a precondition to present the invoice.

Mounting Instruction K1 Plus

To install pick-up casing properly measure “c” (picture below) has to be at least 14mm

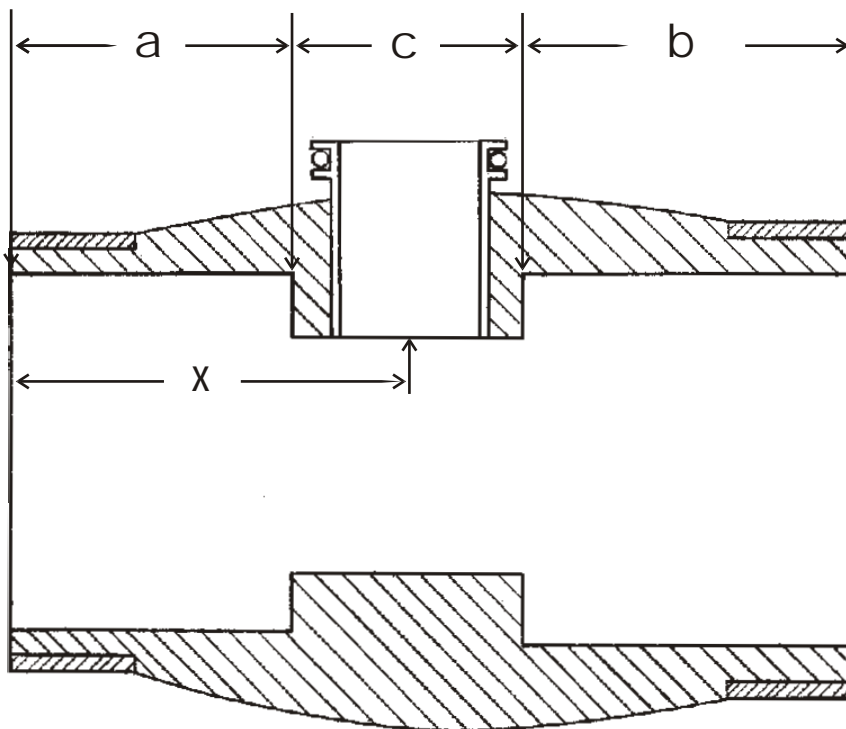
If this precondition is fulfilled please calculate Measure “x” according to the picture below with a slide gauge and mark it outside the barrel.

Caution! As the measures “a” and “b” are mostly different the right position to bore is often not in the middle of the barrel!

Please set a vertical boring at the marked position with a suitable 10,0mm wood drill. Remove wood fibres when existing. Now you should be able to insert the metal casing with a slight pressure.

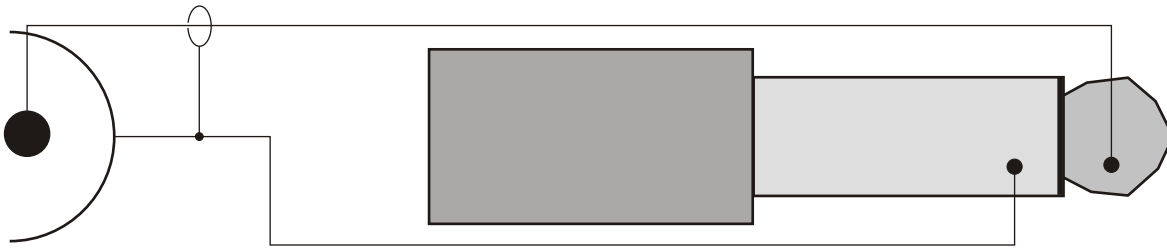
Please remove casing once again, and fix it with thin application of two-component adhesive into the boring as shown in the picture below.

After adhesive has hardened please erase the excessive adhesive.



Picture shows sectional drawing of barrel with completely installed casing

Schematic Diagramm PK-K1Plus



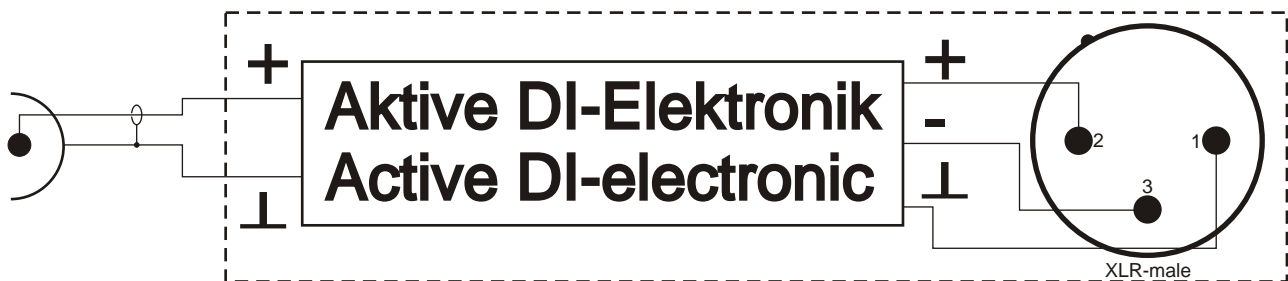
Components:

Cable Mogami 2330

XLR-Connector: Neutrik NP-2XX

MCX-Connector: Telegärtner Typ J01270A0161

Schematic Diagramm PA-K1Plus



Components:

Cable: Mogami 2330

XLR-Connector: Neutrik NC-3MXX

MCX-Connector: Telegärtner Typ J01270A0161